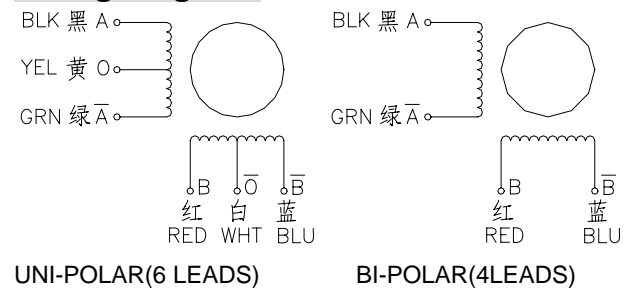
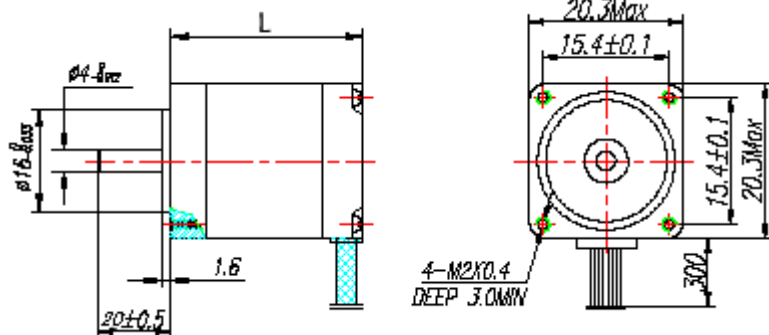


# 2 Phase Hybrid Stepper Motor 8H2A series-Size 20mm(1.8 degree)


**Wiring Diagram:**

**Electrical Specifications:**

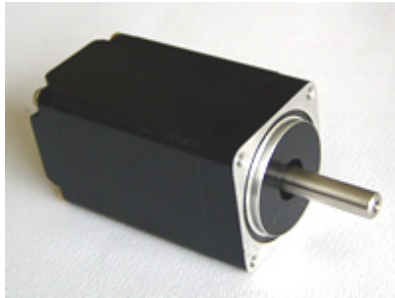
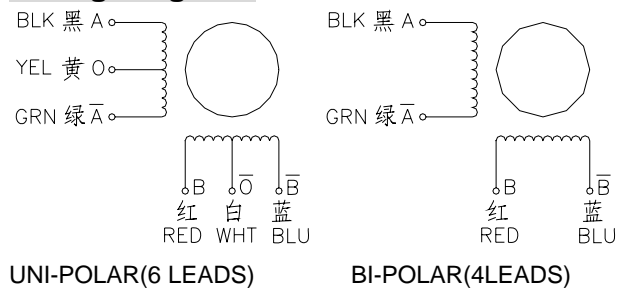
Model	Old P/N	Phase Voltage (V)	Phase Current (A)	Phase Resistance (ohm)	Phase Inductance (mH)	Holding Torque (N.cm)	Lead Wires (No.)	Weight (g)	Length (mm)
8H2A26402	8HY26-0204A	3.8	0.2	19	5.5	1.4	4	40	26
8H2A28402	8HY28-0204A	4.4	0.2	22	6.5	1.6	4	50	28
8H2A28406	8HY28-0604A	1.9	0.6	3.2	0.9	1.6	4	50	28
8H2A33402	8HY33-0204A	5.0	0.2	25	8.4	2.0	4	70	33
8H2A33406	8HY33-0604A	2.7	0.6	4.5	1.2	2.0	4	70	33
8H2A40402	8HY40-0204A	6.4	0.2	32	8.8	2.8	4	80	40
8H2A40406	8HY40-0604A	3.5	0.6	5.8	1.6	2.8	4	80	40

*\*Note: We can manufacture products according to customer's requirements.*

**Dimensions: unit=mm**

**Motor Length:**

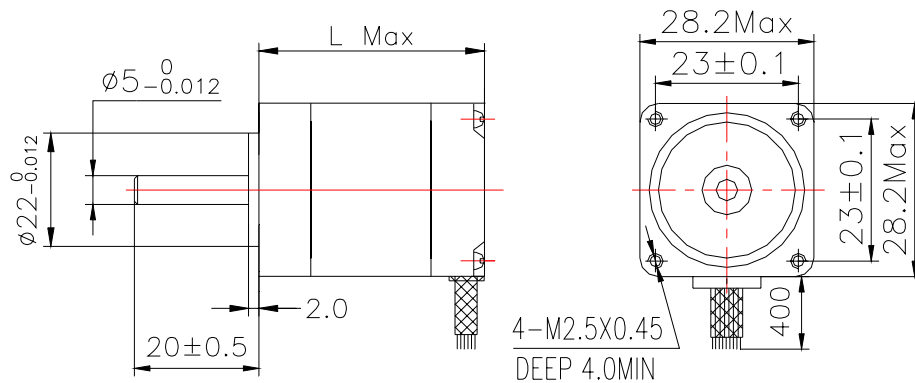
Model	Length
8H2A26XX	26 mm
8H2A28XX	28 mm
8H2A33XX	33 mm
8H2A40XX	40 mm

# 2 Phase Hybrid Stepper Motor 11H2A series-Size 28mm(1.8 degree)


**Wiring Diagram:**

**Electrical Specifications:**

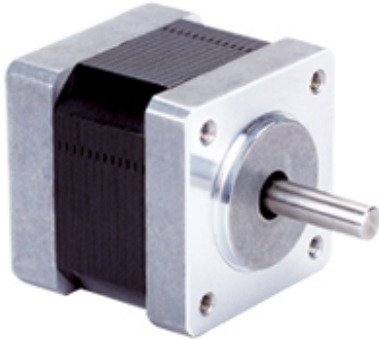
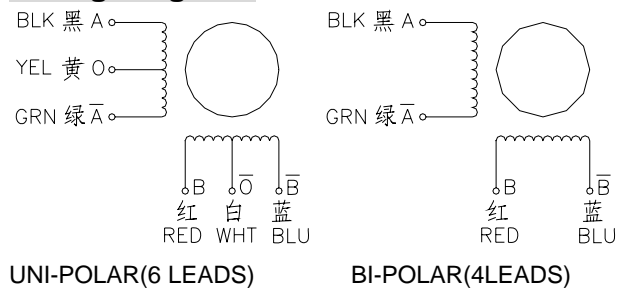
Series Model	Old P/N	Motor Length (mm)	Rated Current (A)	Phase Resistance (ohm)	Phase Inductance (mH)	Holding Torque (N.cm Min)	Detent Torque (N.cm Max)	Rotor Inertia (g.cm <sup>2</sup> )	Lead Wire (No.)	Motor Weight (g)
11H2A2406	11HY2401	28	0.6	4.2	2.2	4.5	0.3	6	4	105
11H2A2404	11HY2402	28	0.35	12	5.8	4.5	0.3	6	4	105
11H2A3406	11HY3401	33	0.6	5.5	3.2	6.0	0.4	8	4	110
11H2A3404	11HY3402	33	0.35	15	9.2	6.0	0.4	8	4	110
11H2A4406	11HY4401	41	0.6	7.0	6.0	6.0	0.5	11	4	140
11H2A4404	11HY4402	41	0.35	20	15	6.0	0.5	11	4	140
11H2A5406	11HY5401	50	0.6	9.0	7.2	10	0.8	13	4	180
11H2A5404	11HY5402	50	0.35	24	18.5	10	0.8	13	4	180

\*Note: We can manufacture products according to customer's requirements.

**Dimensions: unit=mm**

**Motor Length:**

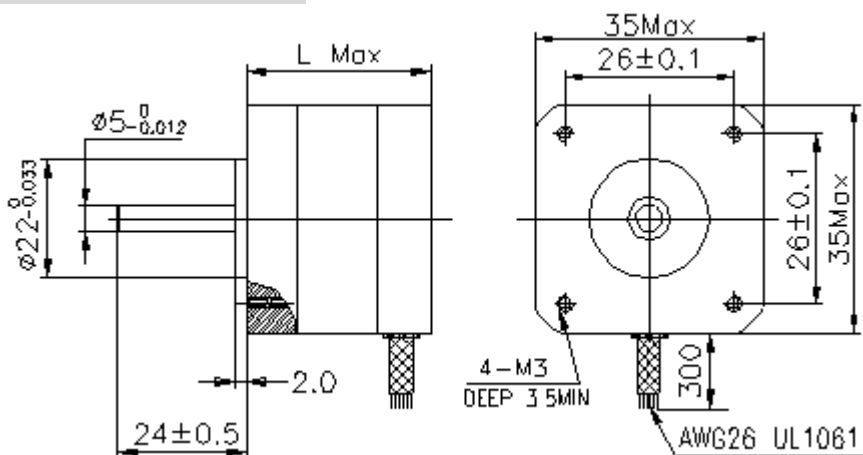
Model	Length
11H2A2XXX	28 mm
11H2A3XXX	33 mm
11H2A4XXX	41 mm
11H2A5XXX	50 mm

# 2 Phase Hybrid Stepper Motor 14H2K series-Size 35mm(0.9 degree)


**Wiring Diagram:**

**Electrical Specifications:**

Series Model	Old P/N	Motor Length (mm)	Rated Current (A)	Phase Resistance (ohm)	Phase Inductance (mH)	Holding Torque (N.cm Min)	Detent Torque (N.cm Max)	Rotor Inertia (g.cm <sup>2</sup> )	Lead Wire (No.)	Motor Weight (g)
14H2K0404	14HK0404	20	0.4	24	18	5	0.2	10	4	120
14H2K2408	14HK2401	28	0.8	4.5	4.2	9	0.3	12	4	130
14H2K2406	14HK2402	28	0.55	10	9.5	9	0.3	12	4	130
14H2K2404	14HK2403	28	0.36	22	20	9	0.3	12	4	130
14H2K2604	14HK2630	28	0.4	30	12	8	0.3	12	6	130
14H2K3408	14HK3401	34	0.8	6	10	14	0.6	18	4	190
14H2K3406	14HK3402	34	0.55	12	19	14	0.6	18	4	190
14H2K3404	14HK3403	34	0.36	28	42	14	0.6	18	4	190
14H2K3604	14HK3630	34	0.4	30	18	10	0.6	18	6	190

\*Note: We can manufacture products according to customer's requirements.

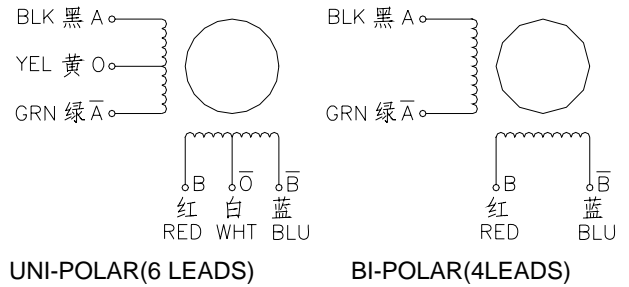
**Dimensions: unit=mm**

**Motor Length:**

Model	Length
14HM2XXX	27 mm
14HM3XXX	34 mm

# 2 Phase Hybrid Stepper Motor 14H2R series-Size 36mm(0.9 degree)



**Wiring Diagram:**

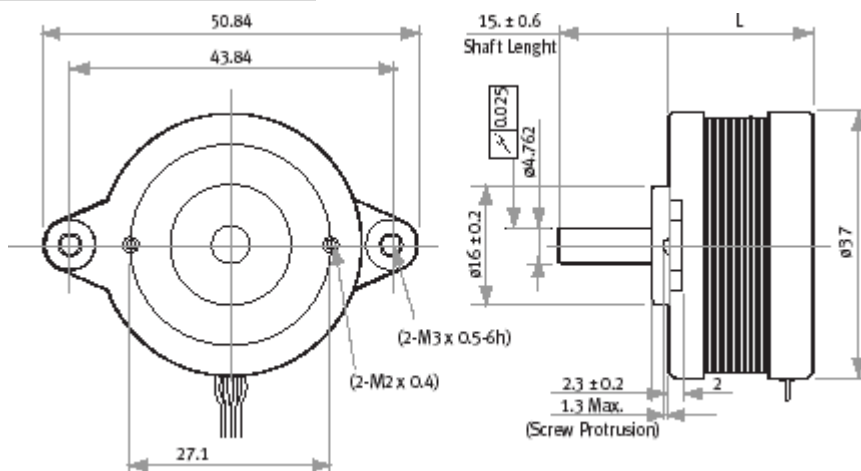


**Electrical Specifications:**

Series Model	Old P/N	Motor Length (mm)	Rated Current (A)	Phase Resistance (ohm)	Phase Inductance (mH)	Holding Torque (N.cm Min)	Detent Torque (N.cm Max)	Rotor Inertia (g.cm <sup>2</sup> )	Lead Wire (No.)	Motor Weight (g)
14H2R1403	14HR1403	15.2	0.3	16.8	8.5	3.6	0.3	7.3	4	60
14H2R2445	14HR2445	19.7	0.45	15	8.2	8.8	0.3	19	4	110

\*Note: We can manufacture products according to customer's requirements.

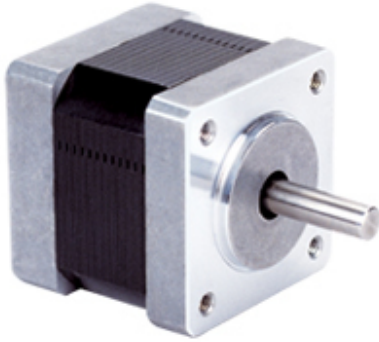
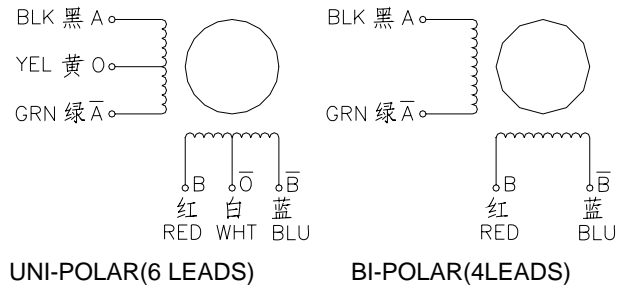
**Dimensions: unit=mm**



**Motor Length:**

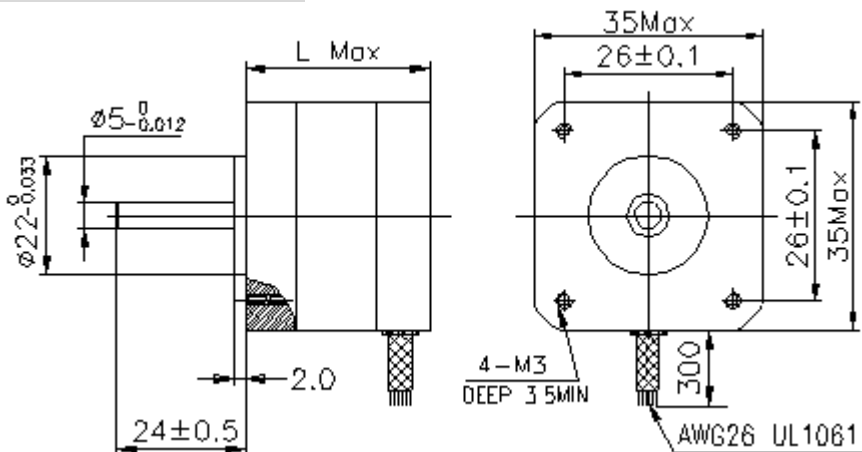
Model	Length
14H2R1XXX	15.2 mm
14H2R2XXX	19.7 mm

# 2 Phase Hybrid Stepper Motor 14H2A series-Size 35mm(1.8 degree)


**Wiring Diagram:**

**Electrical Specifications:**

Series Model	Old P/N	Motor Length (mm)	Rated Current (A)	Phase Resistance (ohm)	Phase Inductance (mH)	Holding Torque (N.cm Min)	Detent Torque (N.cm Max)	Rotor Inertia (g.cm <sup>2</sup> )	Lead Wire (No.)	Motor Weight (g)
14H2A9404	14HY9401	22	0.38	20	16	6	0.5	11	4	80
14H2A2405	14HY2420	28	0.46	20	14	12	0.8	11	4	120
14H2A2408	14HY2402	28	0.8	5.0	5.0	12	0.8	11	4	120
14H2A2604	14HY2630	28	0.4	30	11	9	0.8	11	6	120
14H2A3404	14HY3401	34	0.42	25	32	18	1.0	13	4	160
14H2A3408	14HY3402	34	0.8	6.5	9.8	18	1.0	13	4	160
14H2A3604	14HY3630	34	0.4	30	22	12	1.0	13	6	160
14H2A5415	14HY5401	55	1.5	3.4	7.2	32	1.6	17	4	250

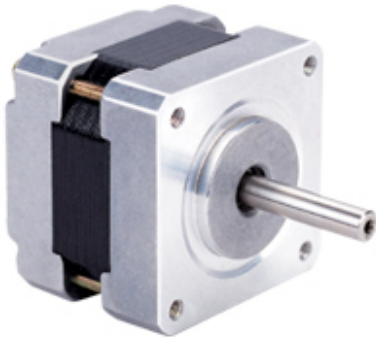
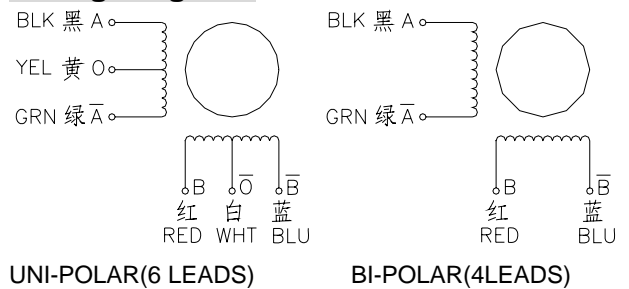
**\*Note:** We can manufacture products according to customer's requirements.

**Dimensions: unit=mm**

**Motor Length:**

Model	Length
14H2A0XXX	20 mm
14H2A9XXX	22 mm
14H2A2XXX	28 mm
14H2A3XXX	34 mm
14H2A5XXX	55 mm

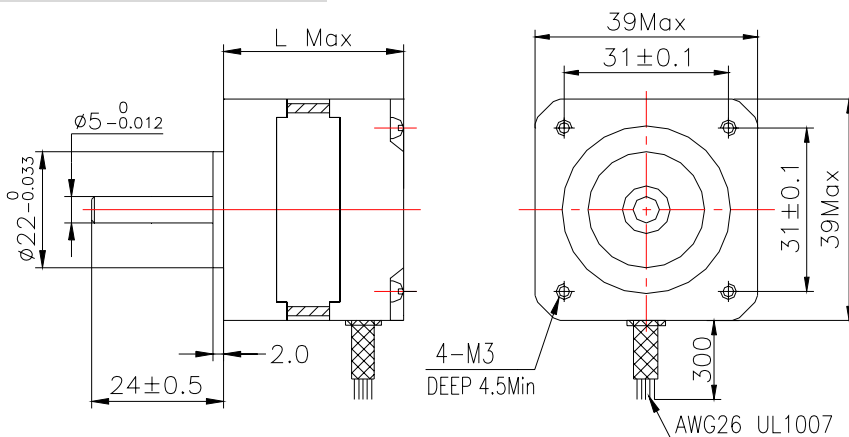
MotionKing (China) Motor Industry Co., Ltd.

# 2 Phase Hybrid Stepper Motor 16H2M series-Size 39mm(0.9 degree)


**Wiring Diagram:**

**Electrical Specifications:**

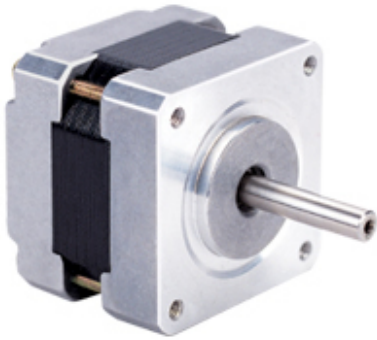
Series Model	Old P/N	Motor Length (mm)	Rated Current (A)	Phase Resistance (ohm)	Phase Inductance (mH)	Holding Torque (N.cm Min)	Detent Torque (N.cm Max)	Rotor Inertia (g.cm <sup>2</sup> )	Lead Wire (No.)	Motor Weight (g)
16H2M9404	16HM9401	22	0.42	20	16	8	0.5	15	4	100
16H2M2406	16HM2410	26	0.6	9	16	14	0.8	18	4	120
16H2M3406	16HM3401	34	0.6	9	15	16	1.1	23	4	160
16H2M3412	16HM3402	34	1.2	2.5	3.6	16	1.1	23	4	160
16H2M3604	16HM3630	34	0.4	30	16	12	1.1	23	6	160
16H2M4406	16HM4401	40	0.6	12	20	22	1.4	30	4	210
16H2M4412	16HM4402	40	1.2	3.2	5.5	22	1.4	30	4	210
16H2M4604	16HM4630	40	0.4	30	26	18	1.4	30	6	210

\*Note: We can manufacture products according to customer's requirements.

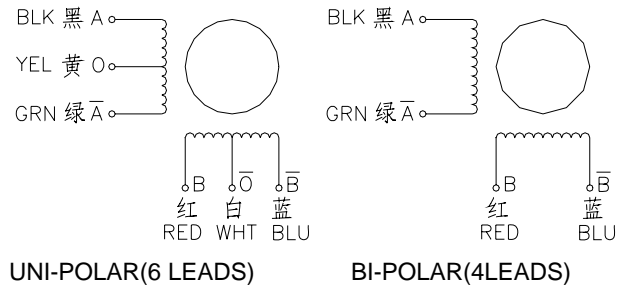
**Dimensions: unit=mm**

**Motor Length:**

Model	Length
16H2M0XXX	20 mm
16H2M9XXX	22 mm
16H2M3XXX	26 mm
16H2M4XXX	34 mm
16H2M4XXX	40 mm

# 2 Phase Hybrid Stepper Motor 16H2A series-Size 39mm(1.8 degree)



**Wiring Diagram:**

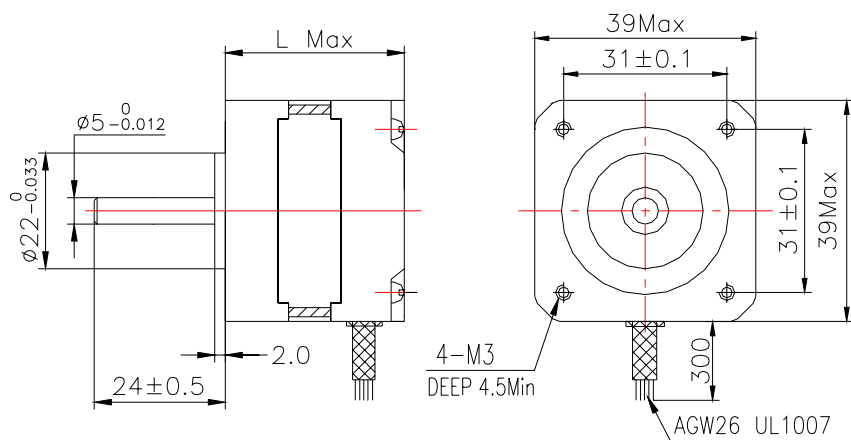


**Electrical Specifications:**

Series Model	Old P/N	Motor Length (mm)	Rated Current (A)	Phase Resistance (ohm)	Phase Inductance (mH)	Holding Torque (N.cm Min)	Detent Torque (N.cm Max)	Rotor Inertia (g.cm <sup>2</sup> )	Lead Wire (No.)	Motor Weight (g)
16H2A9405	16HY9401	22	0.48	18	12	8	0.5	12	4	100
16H2A2406	16HY2410	26	0.6	9	10	14	0.8	14	4	120
16H2A3406	16HY3401	34	0.6	12	13	18	1.0	19	4	160
16H2A3412	16HY3402	34	1.2	3.2	3.0	16	1.0	19	4	160
16H2A3604	16HY3630	34	0.4	30	14	12	1.0	19	6	160
16H2A4406	16HY4401	40	0.6	12	20	24	1.2	24	4	210
16H2A4412	16HY4402	40	1.2	3.8	6.5	24	1.2	24	4	210
16H2A4604	16HY4630	40	0.4	30	22	18	1.2	24	6	210

\*Note: We can manufacture products according to customer's requirements.

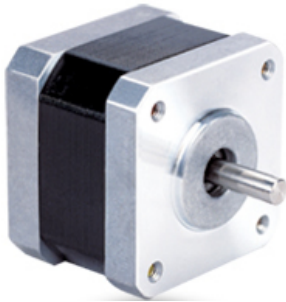
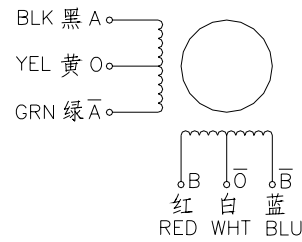
**Dimensions: unit=mm**



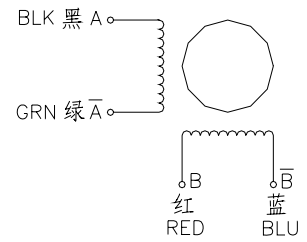
**Motor Length:**

Model	Length
16H2A0XXX	20 mm
16H2A9XXX	22 mm
16H2A2XXX	26 mm
16H2A3XXX	34 mm
16H2A4XXX	40 mm

# 2 Phase Hybrid Stepper Motor 17H2K series-Size 42mm(0.9 degree)


**Wiring Diagram:**


UNI-POLAR(6 LEADS)

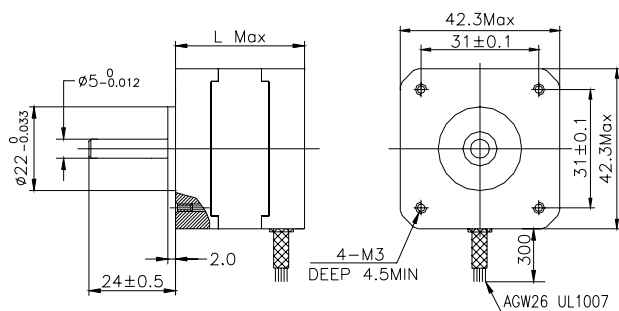


BI-POLAR(4LEADS)

**Electrical Specifications:**

Series Model	Old P/N	Motor Length (mm)	Rated Current (A)	Phase Resistance (ohm)	Phase Inductance (mH)	Holding Torque (N.cm)	Detent Torque (N.cm Max)	Rotor Inertia (g.cm <sup>2</sup> )	Lead Wire (No.)	Motor Weight (g)
17H2K2406	17HK2408	28	0.6	9	9	10	0.9	20	4	130
17H2K3413	17HK3401	34	1.3	2.4	3.6	24	1.2	34	4	220
17H2K3417	17HK3410	34	1.7	1.2	2.2	24	1.2	34	4	220
17H2K3404	17HK3430	34	0.4	30	45	24	1.2	34	4	220
17H2K3604	17HK3630	34	0.4	30	22	17	1.2	34	6	220
17H2K3602	17HK3616	34	0.16	75	54	17	1.2	34	6	220
17H2K4417	17HK4401	40	1.7	1.5	3.8	36	1.8	54	4	280
17H2K4413	17HK4402	40	1.3	2.5	6.2	36	1.8	54	4	280
17H2K4612	17HK4602	40	1.2	3.2	3.8	26	1.8	54	6	280
17H2K4604	17HK4630	40	0.4	30	34	26	1.8	54	6	280
17H2K8417	17HK8401	48	1.7	1.8	3.5	42	2.2	68	4	350
17H2K8412	17HK8402	48	1.2	3.2	5.6	42	2.2	68	4	350
17H2K8403	17HK8403	48	2.3	1.2	2.0	42	2.2	68	4	350
17H2K8630	17HK8630	48	0.4	30	28	27	2.2	68	6	350

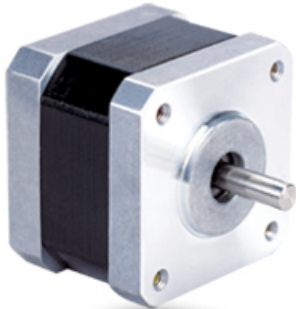
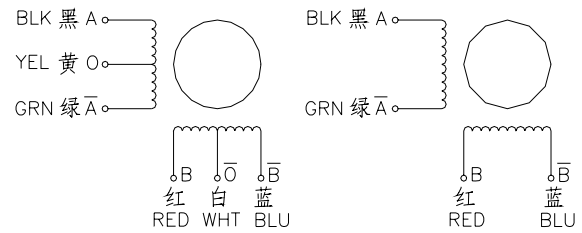
\*Note: We can manufacture products according to customer's requirements.

**Dimensions: unit=mm**

**Motor Length:**

Model	Length
17H2K2XXX	28 mm
17H2K3XXX	34 mm
17H2K4XXX	40 mm
17H2K8XXX	48 mm



# 2 Phase Hybrid Stepper Motor 17H2A series-Size 42mm(1.8 degree)


**Wiring Diagram:**


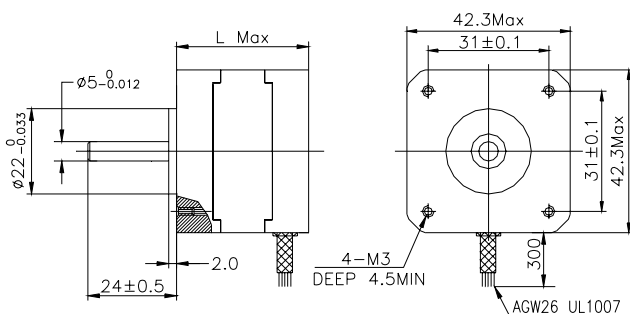
UNI-POLAR(6 LEADS)

BI-POLAR(4LEADS)

**Electrical Specifications:**

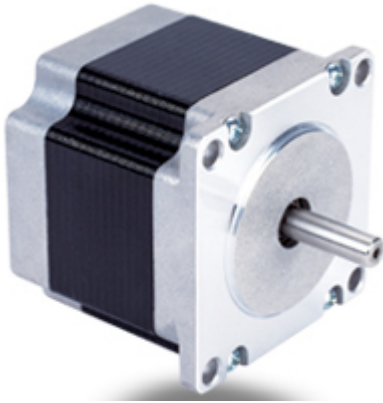
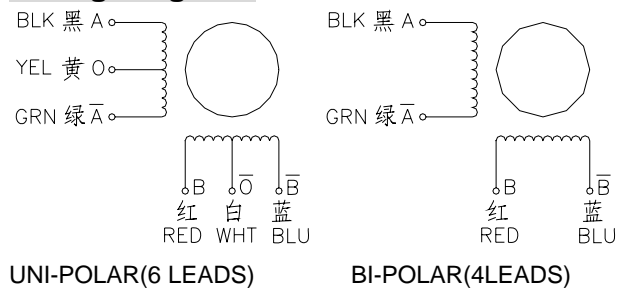
Series Model	Old P/N	Motor Length (mm)	Rated Current (A)	Phase Resistance (ohm)	Phase Inductance (mH)	Holding Torque (N.cm)	Detent Torque (N.cm Max)	Rotor Inertia (g.cm <sup>2</sup> )	Lead Wire (No.)	Motor Weight (g)
17H2A2406	17HS2408	28	0.6	8	10	12	1.6	34	4	150
17H2A3413	17HS3401	34	1.3	2.4	2.8	28	1.6	34	4	220
17H2A3417	17HS3410	34	1.7	1.2	1.8	28	1.6	34	4	220
17H2A3404	17HS3430	34	0.4	30	35	28	1.6	34	4	220
17H2A3604	17HS3630	34	0.4	30	18	21	1.6	34	6	220
17H2A4417	17HS4401	40	1.7	1.5	2.8	40	2.2	54	4	280
17H2A4413	17HS4402	40	1.3	2.5	5.0	40	2.2	54	4	280
17H2A4612	17HS4612	40	1.2	4.1	3.5	28	2.2	54	6	280
17H2A4604	17HS4630	40	0.4	30	28	28	2.2	54	6	280
17H2A8417	17HS8401	48	1.7	1.8	3.2	52	2.6	68	4	350
17H2A8413	17HS8402	48	1.3	3.2	5.5	52	2.6	68	4	350
17H2A8423	17HS8403	48	2.3	1.2	1.6	52	2.6	68	4	350
17H2A8604	17HS8630	48	0.4	30	38	34	2.6	68	6	350
17H2A9612	17HS9612	58	1.2	4.5	5.5	54	3.2	75	6	450
17H2A9425	17HS9425	58	2.5	1.7	2.7	76	3.2	75	4	450

\*Note: We can manufacture products according to customer's requirements.

**Dimensions: unit=mm**

**Motor Length:**

Model	Length
17HS2XXX	28 mm
17HS3XXX	34 mm
17HS4XXX	40 mm
17HS8XXX	48 mm

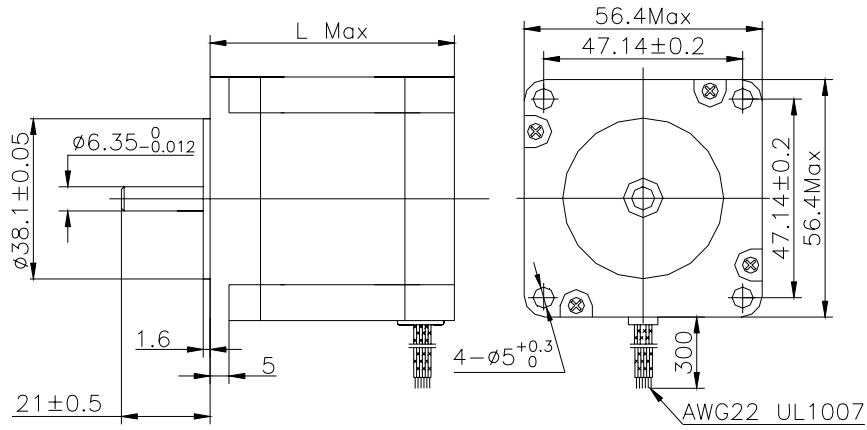
# 2 Phase Hybrid Stepper Motor 23H2M/K series-Size 57mm(0.9 degree)


**Wiring Diagram:**

**Electrical Specifications:**

Series Model	Old P/N	Motor Length (mm)	Rated Current (A)	Phase Resistance (ohm)	Phase Inductance (mH)	Holding Torque (N.cm Min)	Detent Torque (N.cm Max)	Rotor Inertia (g.cm <sup>2</sup> )	Lead Wire (No.)	Motor Weight (g)
23H2M0610	23HM0601	41	1.0	5.2	6.2	24	2.5	150	6	470
23H2M0406	23HM0405	41	0.62	12	28	32	2.5	150	4	470
23H2M0420	23HM0408	41	2.0	1.2	3.0	32	2.5	150	4	470
23H2M4425	23HM4425	45	2.5	1.0	3.0	62	2.8	190	4	520
23H2M5406	23HM5406	51	0.62	13	34	70	3.0	230	4	590
23H2M5425	23HM5425	51	2.5	1.2	3.8	70	3.0	230	4	590
23H2M6615	23HM6602	56	1.5	3.2	6.2	82	3.5	280	6	680
23H2M6425	23HM6403	56	2.5	1.3	5.2	100	3.5	280	4	680
23H2M6430	23HM6430	56	3.0	0.8	2.8	100	3.5	280	4	680
23H2M6442	23HM6404	56	4.2	0.4	1.5	100	3.5	280	4	680
23H2M7410	23HM7401	64	1.0	7.5	28	110	5.0	380	4	850
23H2M7425	23HM7425	64	2.5	1.5	5.8	110	5.0	380	4	850
23H2M7430	23HM7430	64	3.0	0.8	3.0	110	5.0	380	4	850
23H2M7442	23HM7404	64	4.2	0.55	1.5	110	5.0	380	4	850
23H2M8615	23HM8603	76	1.5	4.2	11	125	6.0	440	6	1050
23H2M8425	23HM8425	76	2.5	1.8	8.2	150	6.0	440	4	1050
23H2M8430	23HM8430	76	3.0	1.0	4.3	150	6.0	440	4	1050
23H2M8442	23HM8404	76	4.2	0.65	2.2	150	6.0	440	4	1050

**\*Note:** We can manufacture products according to customer's requirements.

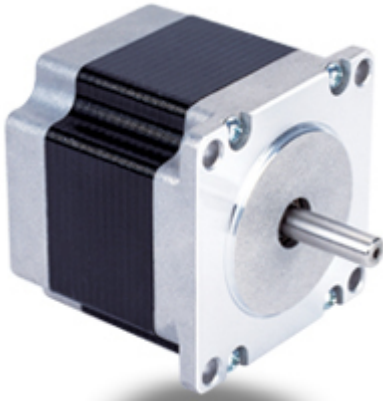
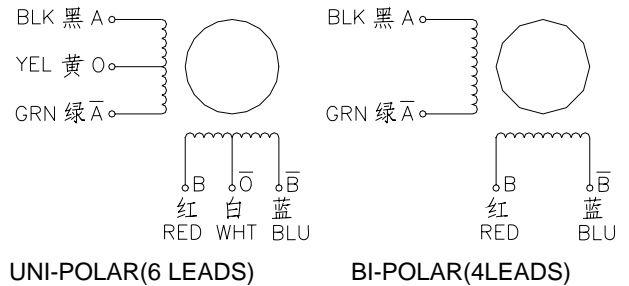
**Dimensions: unit=mm**



**Motor Length:**

Model	Length
23H2M0XXX	41 mm
23H2M4XXX	45 mm
23H2M5XXX	51 mm
23H2M6XXX	56 mm
23H2M7XXX	64 mm
23H2M8XXX	76 mm

# 2 Phase Hybrid Stepper Motor 23H2A series-Size 57mm(1.8 degree)


**Wiring Diagram:**

**Electrical Specifications:**

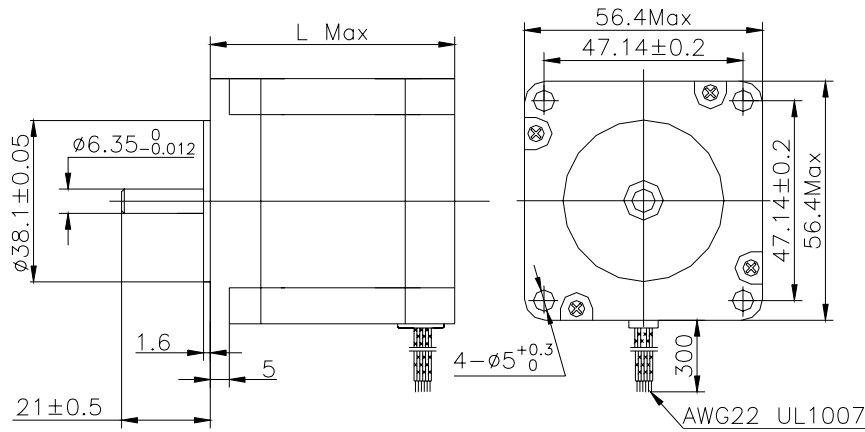
Series Model	Old P/N	Motor Length (mm)	Rated Current (A)	Phase Resistance (ohm)	Phase Inductance (mH)	Holding Torque (N.cm Min)	Detent Torque (N.cm Max)	Rotor Inertia (g.cm <sup>2</sup> )	Lead Wire (No.)	Motor Weight (g)
23H2A3610	23HS0601	41	1.0	5.2	5.5	40	2.5	150	6	470
23H2A3406	23HS0405	41	0.62	12	24	55	2.5	150	4	470
23H2A3420	23HS0408	41	2.0	1.2	2.5	55	2.5	150	4	470
23H2A4406	23HS4412	45	0.62	12	26	80	2.8	190	4	520
23H2A4425	23HS4425	45	2.5	1.0	2.2	80	2.8	190	4	520
23H2A5406	23HS5406	51	0.62	13	28	90	2.8	190	4	560
23H2A5410	23HS5410	51	1.0	5.8	17	90	2.8	190	4	560
23H2A5425	23HS5425	51	2.5	1.2	3.2	90	2.8	190	4	560
23H2A5608	23HS5602	51	0.8	6.8	9.2	70	3.0	230	6	560
23H2A6615	23HS6602	56	1.5	3.2	5.5	80	3.5	280	6	680
23H2A6425	23HS6403	56	2.5	1.2	4.8	110	3.5	280	4	680
23H2A6430	23HS6430	56	3.0	0.8	2.4	110	3.5	280	4	680
23H2A6442	23HS6404	56	4.2	0.4	1.2	110	3.5	280	4	680
23H2A6415	23HS6415	56	1.5	3.6	13.8	110	3.5	280	4	680
23H2A7410	23HS7401	64	1.0	7.5	20	150	5.0	380	4	850
23H2A7425	23HS7425	64	2.5	1.5	4.5	150	5.0	380	4	850
23H2A7430	23HS7430	64	3.0	0.8	2.3	150	5.0	380	4	850
23H2A7442	23HS7404	64	4.2	0.55	1.2	150	5.0	380	4	850
23H2A8615	23HS8603	76	1.5	4.5	7.8	140	6.0	440	6	1050
23H2A8425	23HS8425	76	2.5	1.8	6.5	180	6.0	440	4	1050
23H2A8430	23HS8430	76	3.0	1.0	3.5	180	6.0	440	4	1050
23H2A8442	23HS8404	76	4.2	0.6	1.8	180	6.0	440	4	1050

MotionKing (China) Motor Industry Co., Ltd.

<b>23H2A1430</b>	23HS1430	100	3.0	1.4	5.5	250	10	680	4	1250
<b>23H2A1442</b>	23HS1410	100	4.2	0.8	3.0	250	10	680	4	1250
<b>23H2A2430</b>	23HS2430	112	3.0	1.6	6.8	280	12	800	4	1400
<b>23H2A2442</b>	23HS2410	112	4.2	0.9	3.8	280	12	800	4	1400

\*Note: We can manufacture products according to customer's requirements.

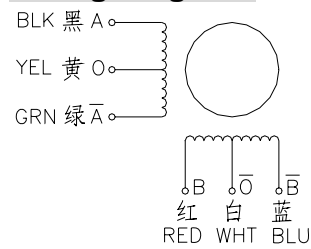
**Dimensions: unit=mm**



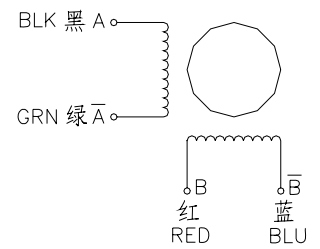
**Motor Length:**

Model	Length
23H2A0XXX	41 mm
23H2A4XXX	45 mm
23H2A5XXX	51 mm
23H2A6XXX	56 mm
23H2A7XXX	64 mm
23H2A8XXX	76 mm
23H2A1XXX	100 mm
23H2A2XXX	112 mm

# 2 Phase Hybrid Stepper Motor 23H2B series-Size 57mm(1.8 degree)


**Wiring Diagram:**


UNI-POLAR(6 LEADS)



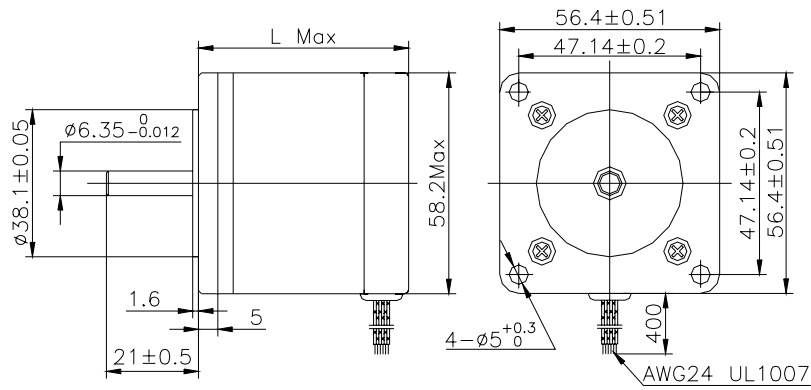
BI-POLAR(4LEADS)

**Electrical Specifications:**

Series Model	Old P/N	Motor Length (mm)	Rated Current (A)	Phase Resistance (ohm)	Phase Inductance (mH)	Holding Torque (N.cm Min)	Detent Torque (N.cm Max)	Rotor Inertia (g.cm <sup>2</sup> )	Lead Wire (No.)	Motor Weight (g)
23H2B4604	23HY4607	41	0.38	32	30	30	3.5	60	6	450
23H2B4415	23HY4455	41	1.55	1.8	3.5	22	3.5	60	4	450
23H2B4421	23HY4456	41	2.1	0.8	1.4	32	3.5	60	4	450
23H2B4615	23HY4656	41	1.5	1.5	1.4	24	3.5	60	6	450
23H2B5604	23HY5607	51	0.38	32	28	38	5.5	118	6	600
23H2B5609	23HY5666	51	0.85	7.1	8.5	45	5.5	118	6	600
23H2B5614	23HY5627	51	1.4	2.5	32	45	5.5	118	6	600
23H2B5414	23HY5481	51	1.4	2.5	6.2	62	5.5	118	6	600
23H2B5420	23HY5460	51	2.0	1.3	3.2	62	5.5	118	4	600
23H2B6606	23HY6684	56	0.6	20	20	60	6.5	145	6	650
23H2B6612	23HY6669	56	1.2	5.0	6.8	60	6.5	145	6	650
23H2B6616	23HY6659	56	1.6	5.2	30	60	6.5	145	6	650
23H2B6624	23HY6609	56	2.4	1.0	1.2	60	6.5	145	6	650
23H2B6425	23HY6496	56	2.5	1.2	3.0	80	6.5	145	4	650
23H2B7442	23HY7406	76	4.2	0.6	1.4	110	6.5	145	4	800
23H2B7421	23HY7407	76	2.1	2.2	6.2	110	9.5	230	6	800
23H2B7436	23HY7408	76	3.6	0.8	2.2	110	9.5	230	4	800

\*Note: We can manufacture products according to customer's requirements.

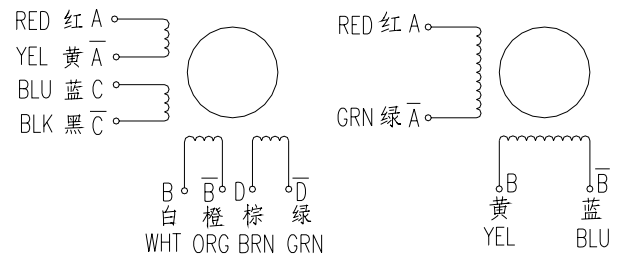
**Dimensions: unit=mm**



**Motor Length:**

Model	Length
23H2B4XXX	41 mm
23H2B5XXX	51 mm
23H2B6XXX	56 mm
23H2B7XXX	76 mm

# 2 Phase Hybrid Stepper Motor 24H2A series-Size 60mm(1.8 degree)


**Wiring Diagram:**


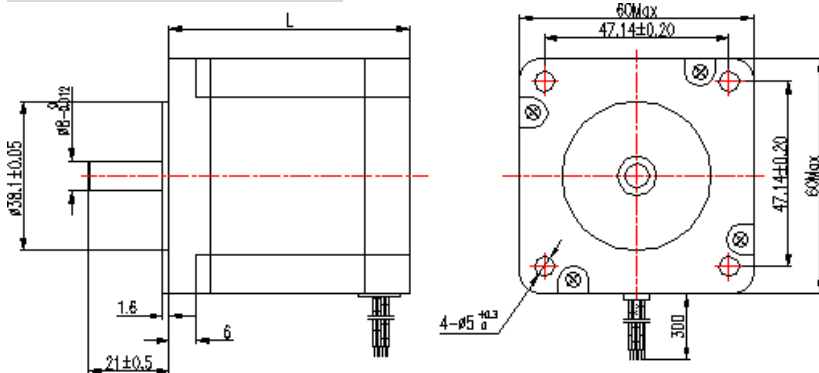
UNI/BI-POLAR(8 LEADS)

BI-POLAR(4LEADS)

**Electrical Specifications:**

Series Model	Old P/N	Motor Length (mm)	Rated Current (A)	Phase Resistance (ohm)	Phase Inductance (mH)	Holding Torque (N.cm Min)	Rotor Inertia (g.cm <sup>2</sup> )	Lead Wire (No.)	Motor Weight (g)	
24H2A4428	24HS4428	45	2.8	0.6	1.3	90	200	4	570	
24H2A5428	24HS5428	56	2.8	1.2	4.8	120	350	4	680	
24H2A6428	24HS6428	64	2.8	1.0	2.8	170	450	4	850	
24H2A7428	24HS7428	76	2.8	1.4	4.6	210	550	4	1100	
24H2A9442	24HS1442	90	4.2	0.8	3.0	300	780	4	1300	
24H2A9428	24HS1428	90	2.8	1.4	5.6	300	780	4	1300	
24H2A9830	24HS1830	90	U	3.0	1.4	3.2	212	780	8	1300
			B(s)	2.1	2.8	12.8	300			
			B(p)	4.2	0.7	3.2	300			
24H2A1428	24HS2428	100	4.2	0.8	3.5	330	780	4	1300	

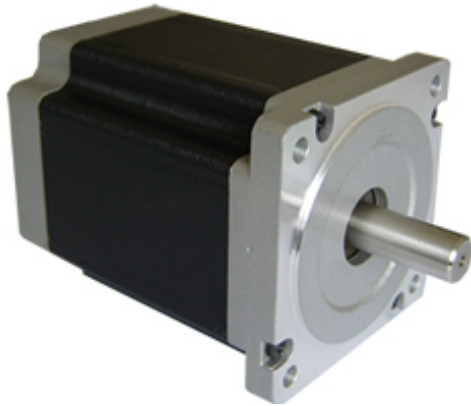
\*Note: We can manufacture products according to customer's requirements.

**Dimensions: unit=mm**

**Motor Length:**

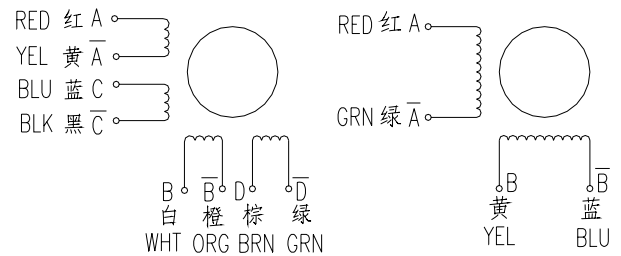
Model	Length
24H2A4XXX	45 mm
24H2A 5XXX	56 mm
24H2A 6XXX	64 mm
24H2A 7XXX	76 mm
24H2A 9XXX	90 mm
24H2A1XXX	100 mm



# 2 Phase Hybrid Stepper Motor 34H2A series-Size 86mm(1.8 degree)



### Wiring Diagram:



UNI/BI-POLAR(8 LEADS)

BI-POLAR(4LEADS)

### Electrical Specifications (UNI-POLAR):

Series Model	Old P/N	Motor Length (mm)	Rated Current (A)	Phase Resistance (ohm)	Phase Inductance (mH)	Holding Torque (N.cm Min)	Detent Torque (N.cm Max)	Rotor Inertia (g.cm <sup>2</sup> )	Lead Wire (No.)	Motor Weight (kg)
34H2A6840	34HS6801	66	4.0	0.6	1.6	220	5.5	850	8	2.0
34H2A6850	34HS6802	66	5.0	0.4	1.0	220	5.5	850	8	2.0
34H2A6827	34HS6803	66	2.7	1.2	3.5	220	5.5	850	8	2.0
34H2A8840	34HS8801	78	4.0	0.7	3.0	300	6.5	1050	8	2.5
34H2A8850	34HS8802	78	5.0	0.5	1.8	300	6.5	1050	8	2.5
34H2A8827	34HS8803	78	2.7	1.6	5.6	300	6.5	1050	8	2.5
34H2A9840	34HS9801	98	4.0	0.98	4.1	490	9.5	1550	8	3.0
34H2A9850	34HS9802	98	5.0	0.65	2.4	490	9.5	1550	8	3.0
34H2A9827	34HS9803	98	2.7	1.9	8.6	490	9.5	1550	8	3.0
34H2A4840	34HS4801	114	4.0	1.1	5.5	580	12.5	1800	8	4.0
34H2A4850	34HS4802	114	5.0	0.75	3.2	580	12.5	1800	8	4.0
34H2A4827	34HS4803	114	2.7	2.0	11.5	580	12.5	1800	8	4.0
34H2A2840	34HS2801	126	4.0	1.3	5.8	640	18.5	2200	8	4.5
34H2A2850	34HS2802	126	5.0	0.85	3.4	640	18.5	2200	8	4.5
34H2A2827	34HS2803	126	2.7	2.5	12.5	640	18.5	2200	8	4.5
34H2A5840	34HS5801	150	4.0	1.4	9.2	850	24.5	2500	8	5.0
34H2A5850	34HS5802	150	5.0	0.9	5.2	850	24.5	2500	8	5.0
34H2A5827	34HS5803	150	2.7	2.9	17.5	850	24.5	2500	8	5.0
34H2A5456	34HS5804	150	5.6	0.7	9.2	1200	24.5	2500	4	5.0

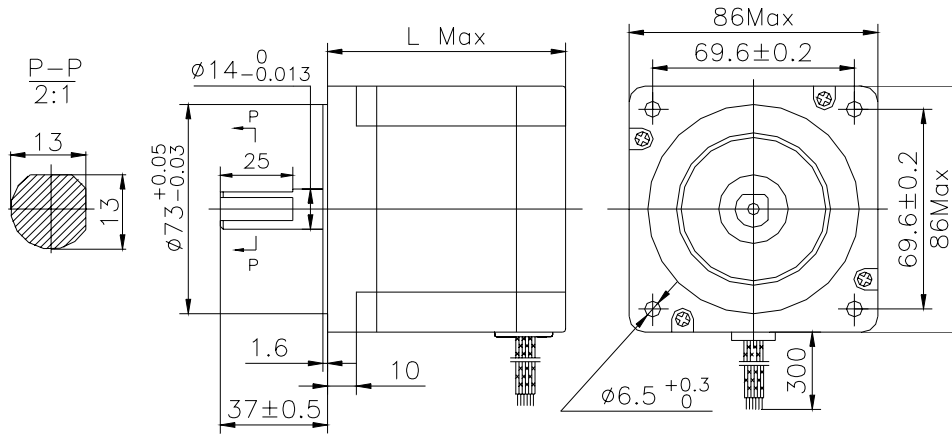
**\*Note:**

1) We can manufacture products according to customer's requirements.

**MotionKing (China) Motor Industry Co., Ltd.**

2) The Holding Torque of Bipolar = 1.414 x above Unipolar' Holding Torque.

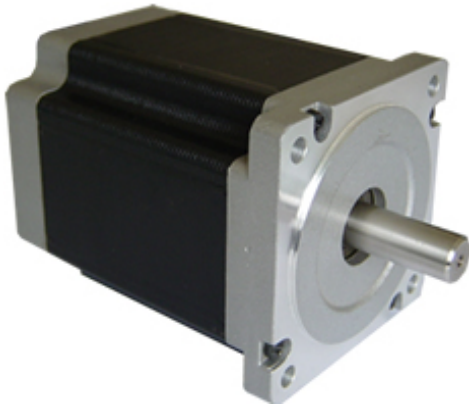
**Dimensions: unit=mm**



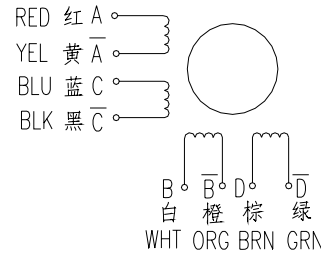
**Motor Length:**

Model	Length
34H2A6XXX	66 mm
34H2A8XXX	78 mm
34H2A9XXX	98 mm
34HS2AXXX	114 mm
34H2A2XXX	126 mm
34H2A5XXX	150 mm

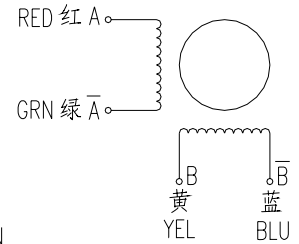
# 2 Phase Hybrid Stepper Motor 34H2M series-Size 86mm(0.9 degree)



### Wiring Diagram:



UNI/BI-POLAR(8 LEADS)



BI-POLAR(4LEADS)

### Electrical Specifications (UNI-POLAR):

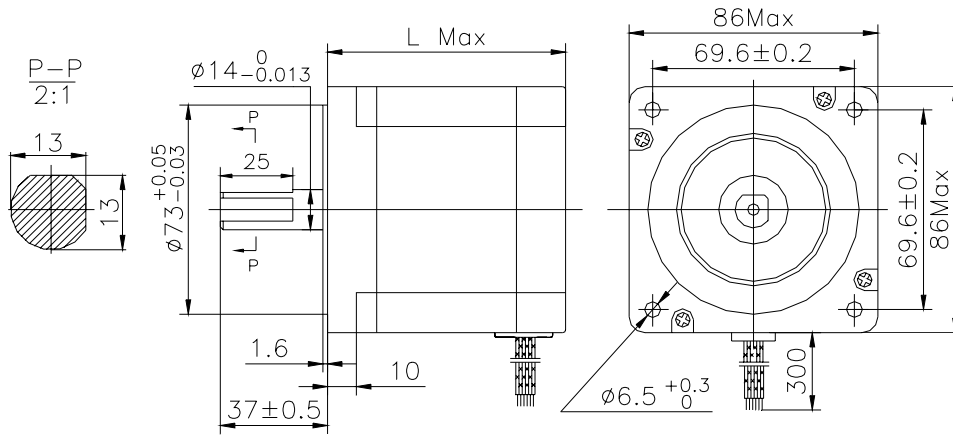
Series Model	Old P/N	Motor Length (mm)	Rated Current (A)	Phase Resistance (ohm)	Phase Inductance (mH)	Holding Torque (N.cm Min)	Detent Torque (N.cm Max)	Rotor Inertia (g.cm <sup>2</sup> )	Lead Wire (No.)	Motor Weight (kg)
34H2M6840	34HM6801	66	4.0	0.6	1.6	200	5.0	0.85	8	2.0
34H2M6850	34HM6802	66	5.0	0.4	1.0	200	5.0	0.85	8	2.0
34H2M6827	34HM6803	66	2.7	1.2	3.5	200	5.0	0.85	8	2.0
34H2M8840	34HM8801	78	4.0	0.7	3.0	270	5.5	1.05	8	2.5
34H2M8850	34HM8802	78	5.0	0.5	0.9	270	5.5	1.05	8	2.5
34H2M8827	34HM8803	78	2.7	1.6	5.6	270	5.5	1.05	8	2.5
34H2M9840	34HM9801	98	4.0	0.98	4.1	450	8.0	1.55	8	3.0
34H2M9850	34HM9802	98	5.0	0.65	2.4	450	8.0	1.55	8	3.0
34H2M9827	34HM9803	98	2.7	1.9	8.6	450	8.0	1.55	8	3.0
34H2M4840	34HM4801	114	4.0	1.1	5.5	520	10.0	1.80	8	4.0
34H2M4850	34HM4802	114	5.0	0.75	3.2	520	10.0	1.80	8	4.0
34H2M4827	34HM4803	114	2.7	2.0	11.5	520	10.0	1.80	8	4.0
34H2M2840	34HM2801	126	4.0	1.3	5.8	580	15.5	2.20	8	4.5
34H2M2850	34HM2802	126	5.0	0.85	3.4	580	15.5	2.20	8	4.5
34H2M2827	34HM2803	126	2.7	2.5	12.5	580	15.5	2.20	8	4.5
34H2M5840	34HM5801	150	4.0	1.4	9.2	780	19.0	2.50	8	5.0
34H2M5850	34HM5802	150	5.0	0.9	5.2	780	19.0	2.50	8	5.0
34H2M5827	34HM5803	150	2.7	2.9	17.5	780	19.0	2.50	8	5.0

**\*Note:**

- 1) We can manufacture products according to customer's requirements.
- 2) The Holding Torque of Bipolar = 1.414 x above Unipolar' Holding Torque.

MotionKing (China) Motor Industry Co., Ltd.

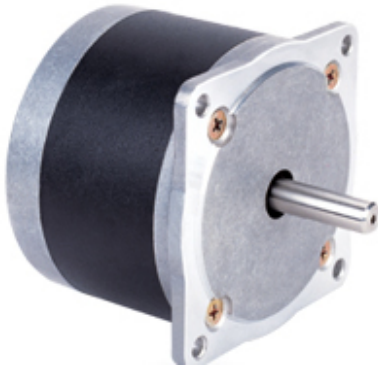
**Dimensions: unit=mm**



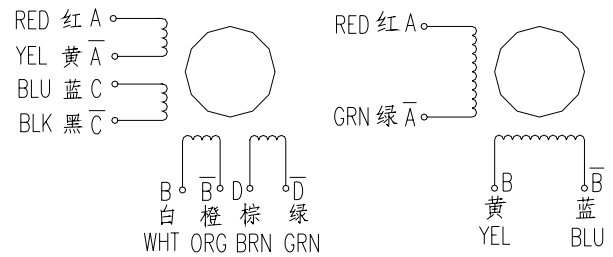
**Motor Length:**

Model	Length
34H2M6XXX	66 mm
34H2M8XXX	78 mm
34H2M9XXX	98 mm
34H2M4XXX	114 mm
34H2M2XXX	126 mm
34H2M5XXX	150 mm

# 2 Phase Hybrid Stepper Motor 34H2B series-Size 86mm(1.8 degree)



### Wiring Diagram:



UNI/BI-POLAR(8 LEADS)

BI-POLAR(4LEADS)

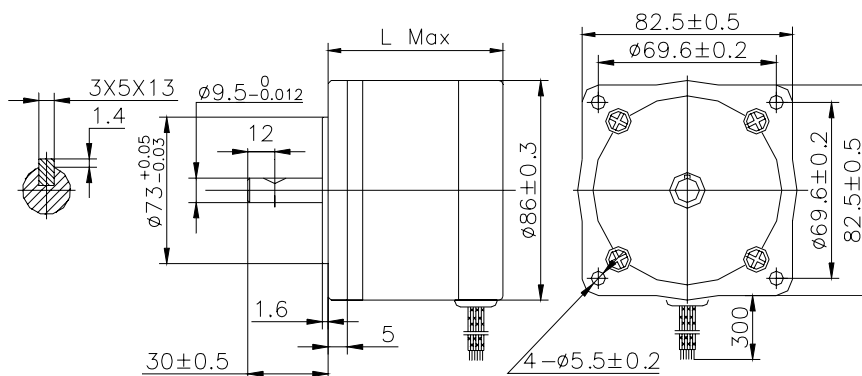
### Electrical Specifications (UNI-POLAR):

Series Model	Old P/N	Motor Length (mm)	Rated Current (A)	Phase Resistance (ohm)	Phase Inductance (mH)	Holding Torque (N.cm Min)	Detent Torque (N.cm Max)	Rotor Inertia (g.cm <sup>2</sup> )	Lead Wire (No.)	Motor Weight (kg)
34H2B6840	34HY6801	63	4.0	0.68	2.0	180	4.5	640	8	1.6
34H2B6850	34HY6802	63	5.0	0.45	1.5	180	4.5	640	8	1.6
34H2B6827	34HY6803	63	2.7	1.2	4.5	180	4.5	640	8	1.6
34H2B6821	34HY6804	63	2.1	1.9	7.2	180	4.5	640	8	1.6
34H2B9840	34HY9801	92	4.0	0.89	3.8	320	6.5	1300	8	2.6
34H2B9850	34HY9802	92	5.0	0.58	2.8	320	6.5	1300	8	2.6
34H2B9827	34HY9803	92	2.7	1.7	9.0	320	6.5	1300	8	2.6
34H2B9821	34HY9804	92	2.1	2.7	15	320	6.5	1300	8	2.6
34H2B1840	34HY1801	122	4.0	1.1	5.6	450	10.5	1900	8	3.8
34H2B1850	34HY1802	122	5.0	0.82	3.6	450	10.5	1900	8	3.8
34H2B1827	34HY1803	122	2.7	2.5	12.5	450	10.5	1900	8	3.8

#### \*Note:

- 1) We can manufacture products according to customer's requirements.
- 2) The Holding Torque of Bipolar = 1.414 x above Unipolar' Holding Torque.

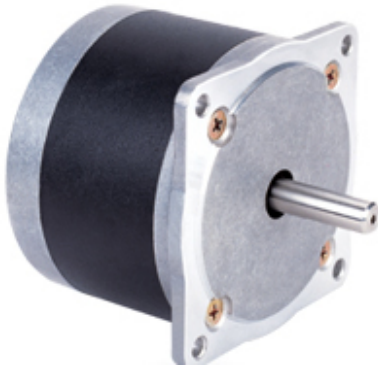
### Dimensions: unit=mm



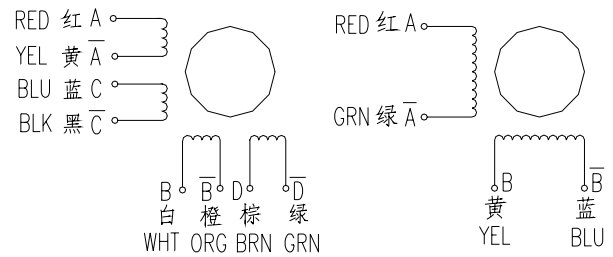
### Moto Length:

Model	Length
34H2B6XXX	63 mm
34H2B9XXX	92 mm
34H2B1XXX	122 mm

# 2 Phase Hybrid Stepper Motor – High Torque 34H2Y series-Size 86mm(1.8 degree)



### Wiring Diagram:



UNI/BI-POLAR(8 LEADS)

BI-POLAR(4LEADS)

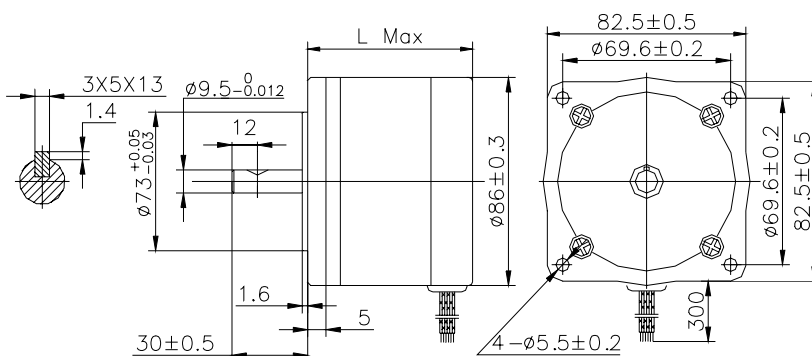
### Electrical Specifications (UNI-POLAR):

Series Model	Motor Length (mm)	Rated Current (A)	Phase Resistance (ohm)	Phase Inductance (mH)	Holding Torque (N.cm Min) *	Detent Torque (N.cm Max)	Rotor Inertia (g.cm <sup>2</sup> )	Lead Wire (No.)	Motor Weight (kg)
34H2Y6840	64	4.0	0.68	2.0	220	4.5	640	8	1.6
34H2Y6850	64	5.0	0.45	1.5	220	4.5	640	8	1.6
34H2Y6827	64	2.7	1.2	4.5	220	4.5	640	8	1.6
34H2Y6821	64	2.1	1.9	7.2	220	4.5	640	8	1.6
34H2Y9840	92	4.0	0.89	3.8	420	6.5	1300	8	2.6
34H2Y9850	92	5.0	0.58	2.8	420	6.5	1300	8	2.6
34H2Y9827	92	2.7	1.7	9.0	420	6.5	1300	8	2.6
34H2Y9821	92	2.1	2.7	15	420	6.5	1300	8	2.6
34H2Y1840	122	4.0	1.1	5.6	660	10.5	1900	8	3.8
34H2Y1850	122	5.0	0.82	3.6	660	10.5	1900	8	3.8
34H2Y1827	122	2.7	2.5	12.5	660	10.5	1900	8	3.8

#### \*Note:

- 1) We can manufacture products according to customer's requirements.
- 2) The Holding Torque of Bipolar = 1.414 x above Unipolar' Holding Torque.

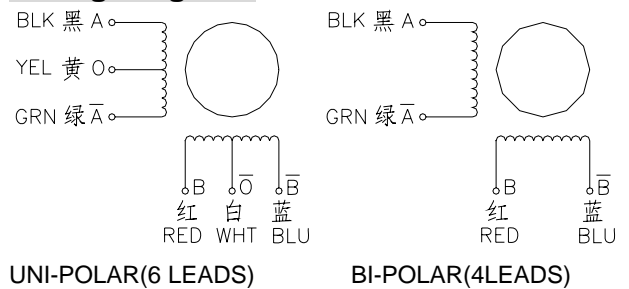
### Dimensions: unit=mm



### Moto Length:

Model	Length
34H2Y6XXX	63 mm
34H2Y9XXX	92 mm
34H2Y1XXX	122 mm

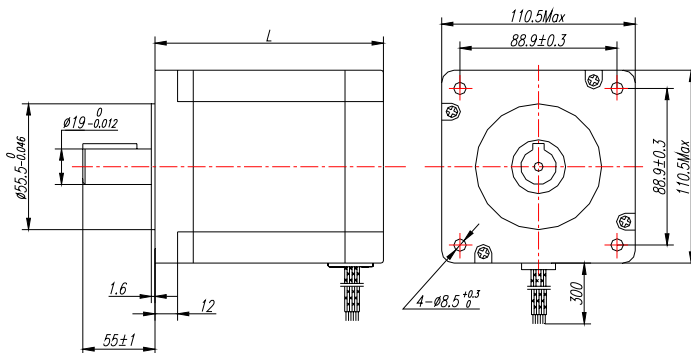
# 2 Phase Hybrid Stepper Motor 43H2A series-Size 110mm(1.8 degree)


**Wiring Diagram:**

**Electrical Specifications (BI-POLAR):**

Series Model	Step Angle (deg)	Motor Length (mm)	Rated Current (A)	Phase Resistance (ohm)	Phase Inductance (mH)	Holding Torque (N.m Min)	Rotor Inertia (g.cm <sup>2</sup> )	Lead Wire (No.)	Motor Weight (kg)
43H2A100-604	1.8	100	6.0	0.5	6	12.5	3500	4	5.5
43H2A115-604	1.8	115	6.0	0.95	15	14.0	5500	4	6.2
43H2A125-654	1.8	125	6.5	0.66	11	20.0	8500	4	7.5
43H2A150-654	1.8	150	6.5	1.15	18.9	23.0	11000	4	8.4
43H2A165-654	1.8	165	6.5	0.65	14	26.0	13000	4	11
43H2A200-654	1.8	200	6.5	1.00	21	30.0	15000	4	15

**\*Note:**

- 1) We can manufacture products according to customer's requirements.
- 2) We can also supply UNI-POLAR stepper motors, but not listed, the details please contact us.

**Dimensions: unit=mm**

**Motor Length:**

Model	Length
43H2A100XX	100 mm
43H2A115XX	115 mm
43H2A125XX	125 mm
43H2A150XX	150 mm
43H2A165XX	165 mm
43H2A200XX	200 mm