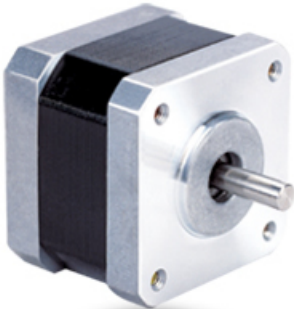
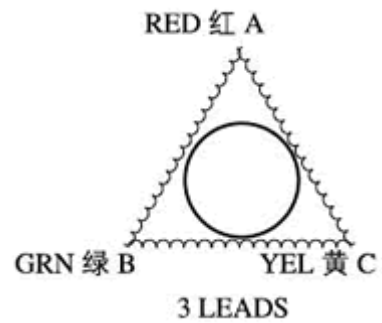


3 Phase Hybrid Stepper Motor 17H3A series-Size 42mm(1.2 degree)



Wiring Diagram:

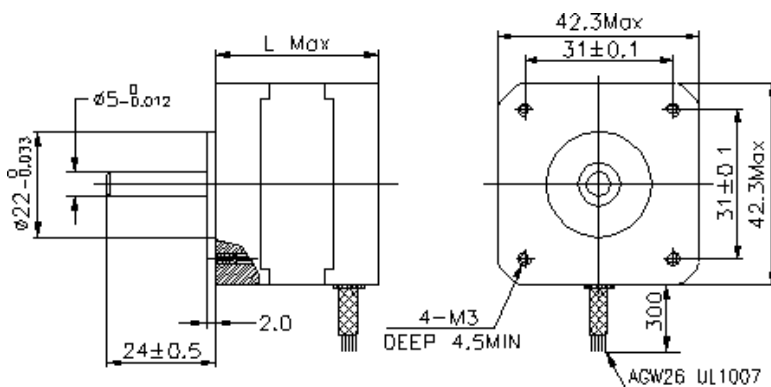


Electrical Specifications:

Series Model	Step Angle (deg)	Motor Length (mm)	Rated Current (A)	Phase Resistance (ohm)	Phase Inductance (mH)	Holding Torque (N.cm Min)	Detent Torque (N.cm Max)	Rotor Inertia (g.cm ²)	Lead Wire (No.)	Motor Weight (g)
17H3A3330	1.2	34	3.0	0.65	0.2	10	1.6	34	3	220
17H3A4330	1.2	40	3.0	0.8	0.35	20	2.2	54	3	280
17H3A8330	1.2	48	3.0	1.0	0.43	27	2.6	68	3	350
17H3A9330	1.2	58	3.0	0.9	0.3	38	0.4	88	3	450

*Note: We can manufacture products according to customer's requirements.

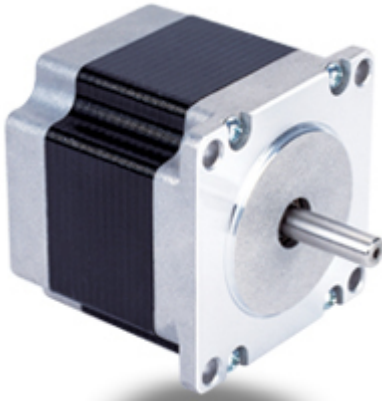
Dimensions: unit=mm



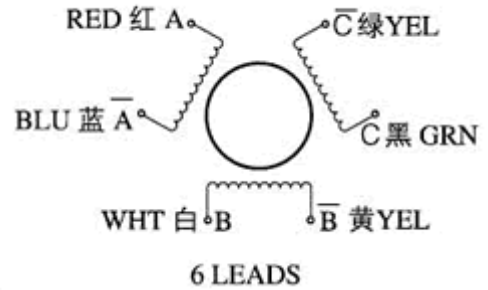
Shaft:

Model	Length (mm)
17H3A3X	34mm
17H3A4X	40mm
17H3A8X	48mm
17H3A9X	58mm

3 Phase Hybrid Stepper Motor 23H3A series-Size 57mm(1.2 degree)



Wiring Diagram:

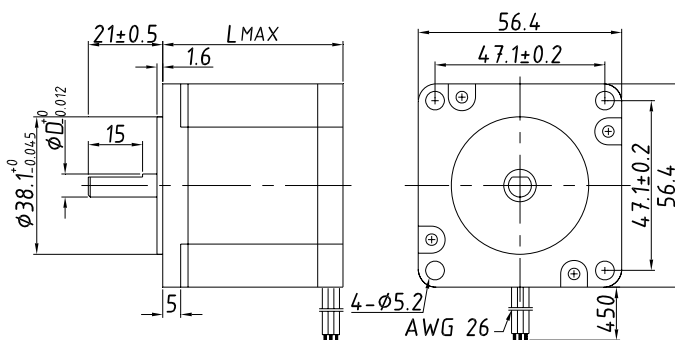


Electrical Specifications:

Series Model	Step Angle (deg)	Motor Length (mm)	Rated Current (A)	Phase Resistance (ohm)	Phase Inductance (mH)	Holding Torque (N.cm Min)	Detent Torque (N.cm Max)	Rotor Inertia (g.cm ²)	Lead Wire (No.)	Motor Weight (g)
23H3A5635	1.2	51	3.5	1.3	1.7	40	2.8	190	6	600
23H3A6650	1.2	56	5.0	0.5	1.0	90	3.5	220	6	730
23H3A8650	1.2	76	5.0	0.87	1.9	150	6.0	380	6	1100

*Note: We can manufacture products according to customer's requirements.

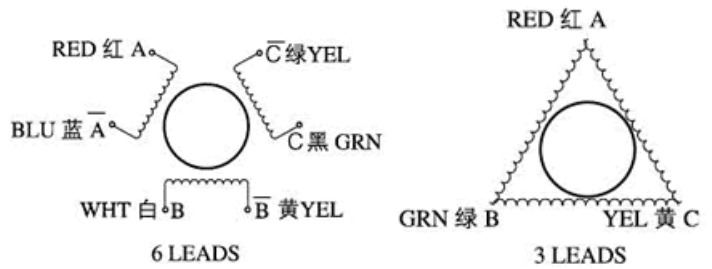
Dimensions: unit=mm



Shaft:

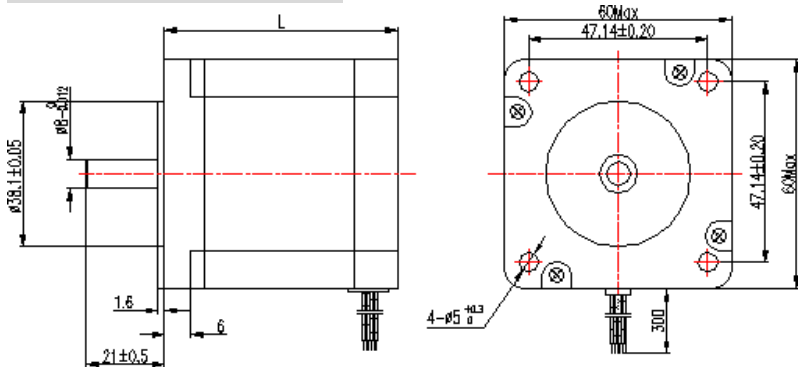
Model	Length (mm)
23H3A5X	51mm
23H3A6X	56mm
23H3A8X	76mm

3 Phase Hybrid Stepper Motor 24H3A series-Size 60mm(1.2 degree)


Wiring Diagram:

Electrical Specifications:

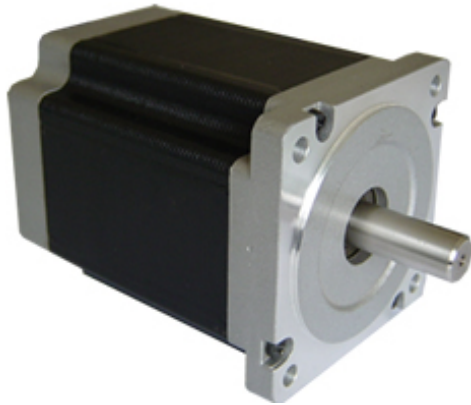
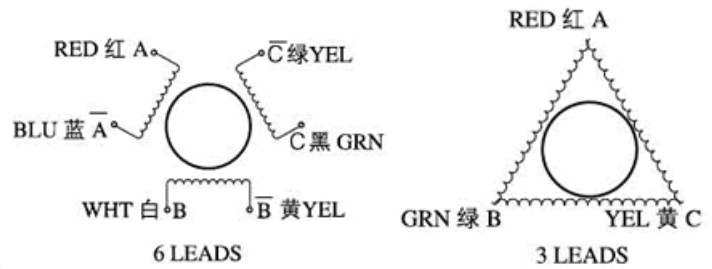
Series Model	Step Angle (deg)	Motor Length (mm)	Rated Current (A)	Phase Resistance (ohm)	Phase Inductance (mH)	Holding Torque (N.cm Min)	Detent Torque (N.cm Max)	Rotor Inertia (g.cm ²)	Lead Wire (No.)	Motor Weight (g)
24H3A5335	1.2	54	3.5	0.8	1.8	80	3.5	280	3	600
24H3A5346	1.2	54	4.6	0.5	0.8	80	3.5	280	3	600
24H3A6335	1.2	64	3.5	1.0	2.5	110	5.0	380	3	850
24H3A6346	1.2	64	4.6	0.7	1.2	110	5.0	380	3	850
24H3A7335	1.2	76	3.5	1.2	3.2	130	6.5	440	3	1150
24H3A7346	1.2	76	4.6	0.8	1.5	130	6.5	440	3	1150
24H3A9335	1.2	90	3.5	1.5	4.5	160	8	580	3	1400
24H3A9346	1.2	90	4.6	1.0	2.5	160	8	580	3	1400

*Note: We can manufacture products according to customer's requirements.

Dimensions: unit=mm

Shaft:

Model	Length (mm)
24H3A5X	51mm
24H3A6X	56mm
24H3A7X	76mm
24H3A9X	90mm

3 Phase Hybrid Stepper Motor 34H3A series-Size 86mm(1.2 degree)

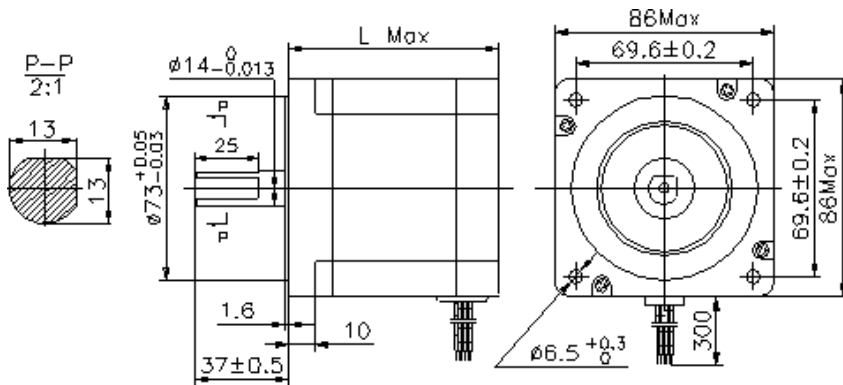

Wiring Diagram:

Electrical Specifications:

Series Model	Step Angle (deg)	Motor Length (mm)	Rated Current (A)	Phase Resistance (ohm)	Phase Inductance (mH)	Holding Torque (N.cm Min)	Detent Torque (N.cm Max)	Rotor Inertia (g.cm ²)	Lead Wire (No.)	Motor Weight (kg)
34H3A6335	1.2	66	3.5	1.2	2.5	210	3.5	0.85	3	2.0
34H3A6345	1.2	66	4.5	0.7	1.5	210	3.5	0.85	3	2.0
34H3A6368	1.2	66	6.8	0.3	0.65	210	3.5	0.85	3	2.0
34H3A8335	1.2	78	3.5	1.6	5.0	270	5.8	1.05	3	2.5
34H3A8345	1.2	78	4.5	1.0	3.0	270	5.8	1.05	3	2.5
34H3A8368	1.2	78	6.8	0.42	1.3	270	5.8	1.05	3	2.5
34H3A9335	1.2	98	3.5	2.5	6.5	450	8.5	1.55	3	3.0
34H3A9345	1.2	98	4.5	1.4	3.9	450	8.5	1.55	3	3.0
34H3A9368	1.2	98	6.8	0.6	1.7	450	8.5	1.55	3	3.0
34H3A4335	1.2	114	3.5	3.1	8.2	520	11.0	1.80	3	4.0
34H3A4345	1.2	114	4.5	1.8	4.8	520	11.0	1.80	3	4.0
34H3A4368	1.2	114	6.8	0.75	2.1	520	11.0	1.80	3	4.0
34H3A2335	1.2	126	3.5	3.5	9.8	580	16.5	2.20	3	4.5
34H3A2345	1.2	126	4.5	2.1	6.2	580	16.5	2.20	3	4.5
34H3A2368	1.2	126	6.8	0.9	2.6	580	16.5	2.20	3	4.5
34H3A5335	1.2	150	3.5	4.5	13.2	780	20.5	2.50	3	5.0
34H3A5345	1.2	150	4.5	2.6	8.2	780	20.5	2.50	3	5.0
34H3A5368	1.2	150	6.8	1.1	3.5	780	20.5	2.50	3	5.0

***Note:** We can manufacture products according to customer's requirements.

MotionKing (China) Motor Industry Co., Ltd.

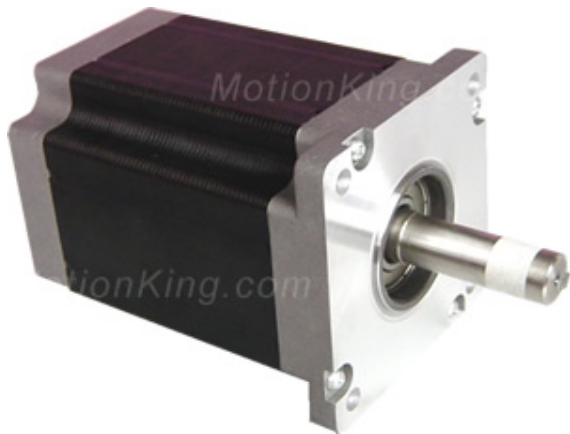
Dimensions: unit=mm



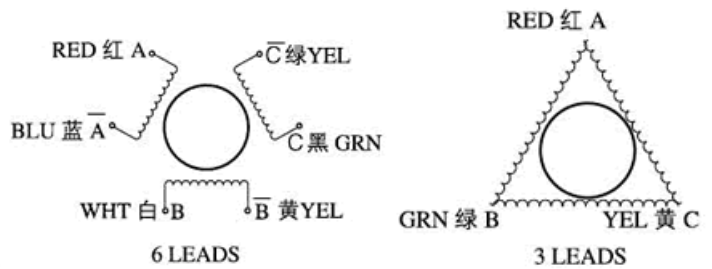
Shaft:

Model	Length (mm)
34H3A6X	66mm
34H3A8X	78mm
34H3A9X	98mm
34H3A4X	114mm
34H3A2X	126mm
34H3A5X	150mm

3 Phase Hybrid Stepper Motor 43H3A series-Size 110mm(1.2 degree)



Wiring Diagram:

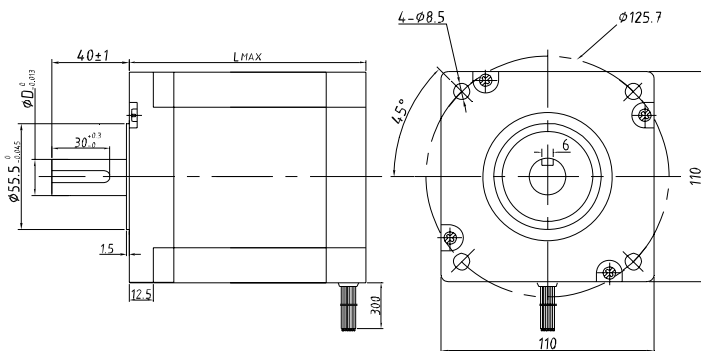


Electrical Specifications:

Series Model	Step Angle (deg)	Motor Length (mm)	Rated Current (A)	Phase Resistance (ohm)	Phase Inductance (mH)	Holding Torque (N.m Min)	Rotor Inertia (g.cm ²)	Lead Wire (No.)	Motor Weight (kg)
43HS2A125-603	1.2	125	6.0	1.25	4.5	8.0	8500	3	7.5
43HS3A150-603	1.2	150	6.0	1.0	8	12.5	11000	3	8.4
43HS2A200-603	1.2	200	6.0	1.45	13.2	17.0	15000	3	15
43HS2A215-703	1.2	215	7.0	1.9	7.3	20.0	17400	3	17

*Note: We can manufacture products according to customer's requirements.

Dimensions: unit=mm



Shaft:

Model	Length (mm)	Shaft Diameter (mm)
43HS3A125	125	19
43HS3A150	150	19
43HS3A200	200	19