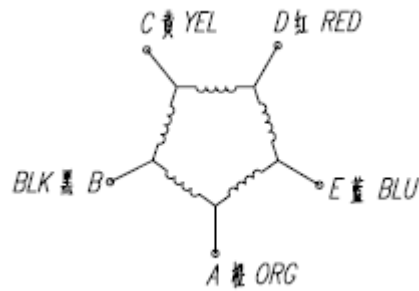


5 Phase Hybrid Stepper Motor 24H5A series-Size 60mm(0.72 degree)

Wiring Diagram:



Electrical Specifications:

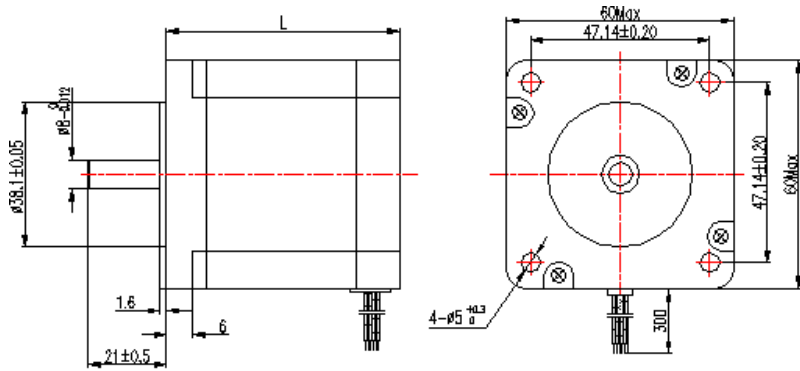
Series Model	Step Angle (deg)	Motor Length (mm)	Rated Current (A)	Phase Resistance (ohm)	Phase Inductance (mH)	Holding Torque (N.cm Min)	Detent Torque (N.cm Max)	Rotor Inertia (g.cm ²)	Lead Wire (No.)	Motor Weight (g)
24H5A4508	0.72	45	0.75	2.6	4.6	55	3.0	250	5	600
24H5A4515	0.72	45	1.5	0.65	0.9	55	3.0	250	5	600
24H5A5508	0.72	54	0.75	3.3	8.2	80	3.5	280	5	780
24H5A5515	0.72	54	1.5	0.77	1.6	80	3.5	280	5	780
24H5A6508	0.72	64	0.75	4	9.2	100	5.0	380	5	920
24H5A6515	0.72	64	1.5	0.8	1.8	100	5.0	380	5	920
24H5A7508	0.72	76	0.75	5	13.5	130	6.5	440	5	1200
24H5A7515	0.72	76	1.5	0.98	2.6	130	6.5	440	5	1200
24H5A9508	0.72	90	0.75	5.8	19.5	160	8.0	580	5	1400
24H5A9515	0.72	90	1.5	1.2	3.8	160	8.0	580	5	1400
24H5A1515	0.72	100	1.5	1.5	3.8	200	10.0	650	5	1600
24H5A1528	0.72	100	2.8	0.7	1.5	200	10.0	650	5	1600
24H5A2515	0.72	112	1.5	0.8	5	220	12.0	720	5	1800

*Note: We can manufacture products according to customer's requirements.

Dimensions: unit=mm

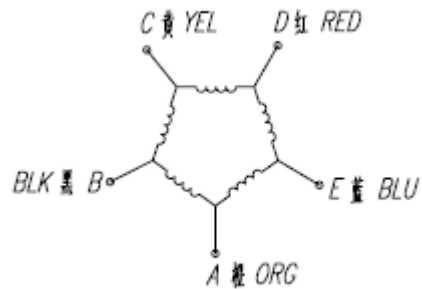
Shaft:

MotionKing (China) Motor Industry Co., Ltd.



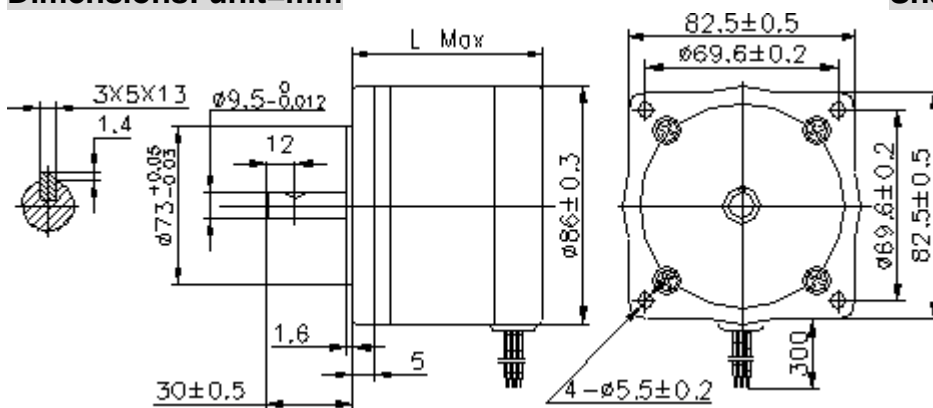
Model	Length (mm)
24H5A4X	45mm
24H5A5X	54mm
24H5A6X	64mm
24H5A7X	76mm
24H5A9X	90mm
24H5A1X	100mm
24H5A2X	112mm

5 Phase Hybrid Stepper Motor 34H5B series-Size 86mm(0.72 degree)


Wiring Diagram:

Electrical Specifications:

Series Model	Step Angle (deg)	Motor Length (mm)	Rated Current (A)	Phase Resistance (ohm)	Phase Inductance (mH)	Holding Torque (N.cm Min)	Detent Torque (N.cm Max)	Rotor Inertia (g.cm ²)	Lead Wire (No.)	Motor Weight (kg)
34H5B6508	0.72	63	0.8	5.5	24	180	4.5	0.64	5	2.0
34H5B6517	0.72	63	1.7	1.5	5.6	180	4.5	0.64	5	2.0
34H5B9508	0.72	92	0.8	8.2	41	320	6.5	1.3	5	2.8
34H5B9517	0.72	92	1.7	2	11	320	6.5	1.3	5	2.8
34H5B2508	0.72	122	0.8	10	55	450	10.5	1.9	5	4.2
34H5B2517	0.72	122	1.7	2	12	450	10.5	1.9	5	4.2

*Note: We can manufacture products according to customer's requirements.

Dimensions: unit=mm

Shaft:

Model	Length (mm)
34H5B6X	63mm
34H5B9X	92mm
34H5B2X	122mm

